

APPLICATION:

PRODUCT NAME:
**POT FILLER 3/4" ADJ. WALL MOUNT
 WITH SHUT-OFF VALVE**

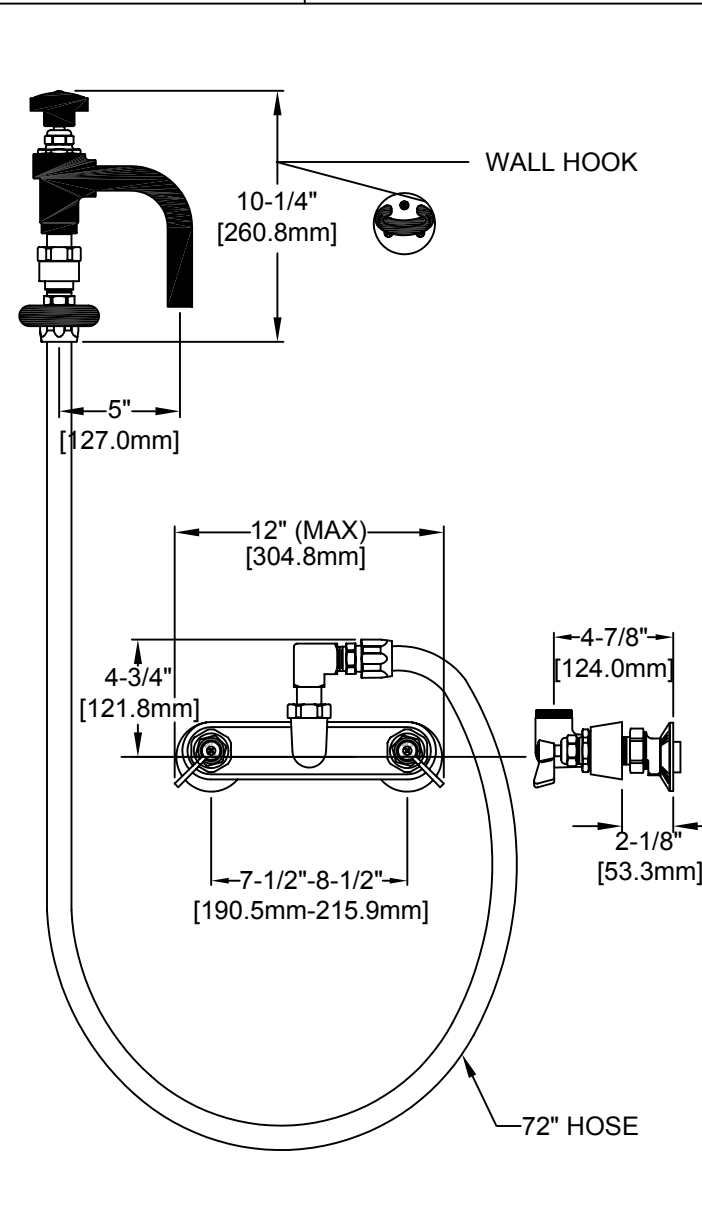
JOB NAME:

_____ SPECIAL CONFIGURATION
 (CHECK BASE MODEL AND OPTIONS)

QUANTITY:

ITEM NO.:

MODEL:
 2305 WITH WALL HOOK



OPTIONS OR MODIFICATIONS:

VANDAL RESISTANT KIT

HANDLES (CROSS OR WRIST) CIRCLE STYLE

OTHER _____

FEATURES:

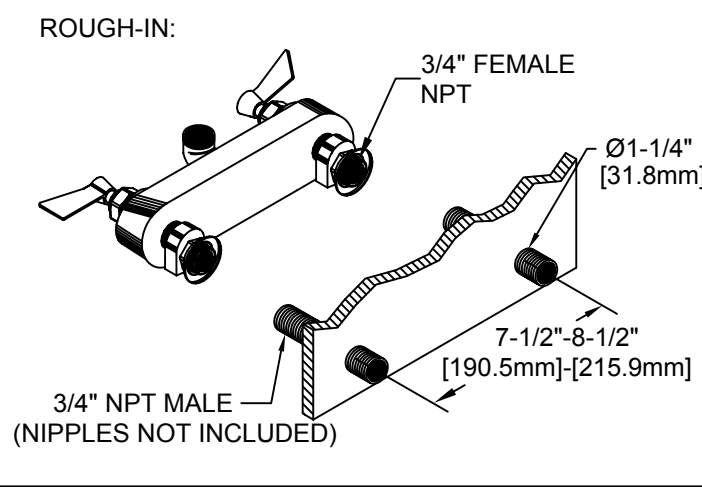
- CONTROL VALVE**
- * 3/4" ADJUSTABLE WALL MOUNT
 - * SWIVEL OUTLET
 - * ECCENTRICS ADJUST FROM 7-1/2" TO 8-1/2"
 - * INTERNAL SPRING LOADED CHECK VALVES
 - * SWIVELING SEAT DISKS
 - * HOT SIDE STEM - RIGHT HAND
 - * COLD SIDE STEM - LEFT HAND
 - * STAINLESS STEEL SEATS
 - * STAINLESS STEEL SEAT SCREWS
 - * STAINLESS STEEL HANDLE SCREWS
 - * 3/4"F NPT INLETS

- HOSE**
- * 72" LG. HEAT MASTER FDA NITRILE/ARAMID
 - * NSF-51 (100 PSI W.P. AT 300°F) CONSTANT
 - * RENEWABLE END FITTINGS & BUMPER
 - * 360° SWIVEL

- POT FILLER SPOUT**
- * NON-MARRING SPOUT
 - * SHUT-OFF VALVE
 - * 360° SWIVEL ELBOW

- SYSTEM LIMITS**
- * TEMP: 40°F MIN. TO 140°F MAX.
 - * PRESSURE 200 PSI MAX. STATIC
 - * 37 GPM AT 80 PSI

- SHIPPING WEIGHT**
- * 15.0 LBS



FISHER

FISHER MANUFACTURING COMPANY
 TOLL FREE: 800-421-6162 - FAX: 800-832-8238
 information@fisher-mfg.com - www.fisher-mfg.com

ANSI/A112.18.1M